

# LIRA



traps & wastes

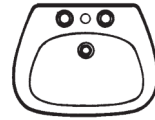
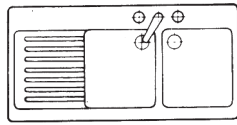
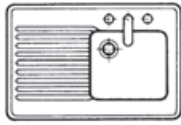


**LIRA**<sup>®</sup>  
since 1925  
MADE IN ITALY [www.lira.com](http://www.lira.com)

“ INDIA catalogue ”



# 2023



Panoramic photo of plants in Valduggia (webcam).



SCAN WITH YOUR SMARTPHONE THIS QR-CODE TO SEE THE YOUTUBE LIRA CHANNEL

## COMPANY PROFILE

Our company's roots stretch back to 1925, when we began to manufacture gaskets and accessories for taps. At the same time, we also worked on the development of ideas that could revolutionise the plumbing sector.

This approach soon turned into a veritable corporate philosophy, which saw us constantly conducting research with a view to arriving at extraordinary innovations. In 1959, we decided to look closely at siphons - our take on this well-established, tried-and-tested piece of plumbing equipment involved the use of a special material: virgin polypropylene.

We immediately started work on the first experimental production run, even though, to begin with, the response from the market was rather lukewarm.

Nevertheless, nobody in the Lavorazione Italiana Rubinetti Accessori ("LIRA") factory was disheartened by the initially slow uptake, and in next-to-no-time even the most change-resistant of plumbers were won over.

The spirit of innovation and development that has characterised the company from the outset remains undimmed, as evinced by the fact that our production techniques continue to utilise state-of-the-art technologies.

Lira S.p.A. is located in Valduggia, a charming small town in Valsesia that is renowned worldwide as a hub for the manufacture of valves and taps.



# WASH BASIN, BIDET & URINAL TRAPS

## BOTTLE TRAPS

**1133.053** - WHITE 1¼"x155 EXIT Ø 40X(A)275 mm

/-

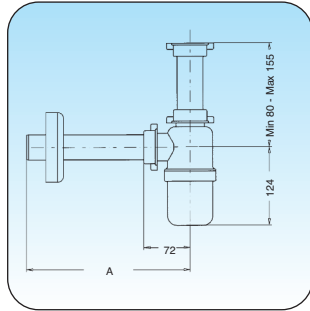
"BOTTLE" TRAP

**1133.220** - WHITE 1¼"x155 EXIT Ø 40X(A)375 mm

/-

"BOTTLE" TRAP WITH LONG OUTLET CONNECTION PIPE

PIPES  
Ø 40

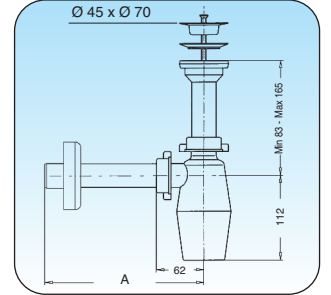


**1511.045** - WHITE x165 EXIT Ø 32X(A)335 mm

/-

"BOTTLE" TRAP FOR WASH BASIN WITH WASTE COUPLING Ø45X70

PIPES  
Ø 32

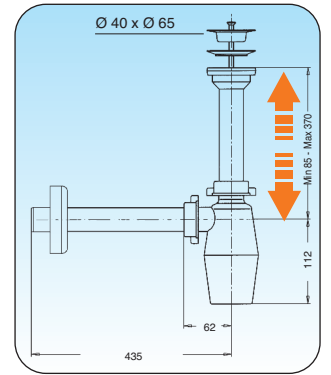


**1511.043** - WHITE INLET x370 EXIT Ø 32X435 mm

/-

"BOTTLE" TRAP FOR WASH BASIN WITH WASTE COUPLING Ø40X65

PIPES  
Ø 32

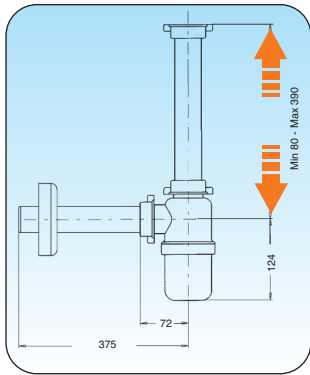


**1133.201** - WHITE 1¼"x390 EXIT Ø 40X375 mm

/-

"BOTTLE" TRAP WITH LONG INLET OUTLET CONNECTION PIPE

PIPES  
Ø 40



**1533.044** - WHITE 1¼"x155 EXIT Ø 32X(A)240 mm

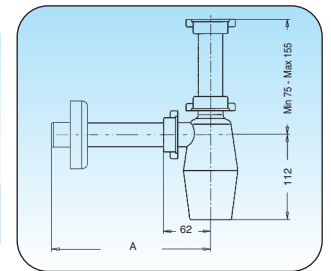
/-

**1533.052** - WHITE 1¼"x155 EXIT Ø 32X(A)335 mm

/-

"BOTTLE" TRAP FOR WASH BASIN WITH LONG OUTLET CONNECTION PIPE

PIPES  
Ø 32

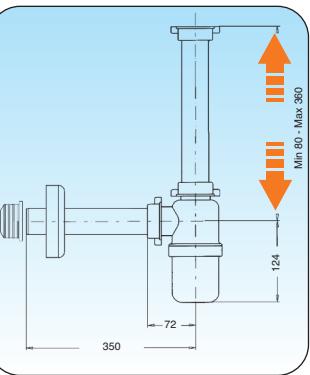


**1133.204** - WHITE 1¼"x360 EXIT Ø 32X350 mm

/-

"BOTTLE" TRAP WITH LONG INLET OUTLET CONNECTION PIPE WITH RUBBER BUSHING Ø 40-32 mm

PIPES  
Ø 40

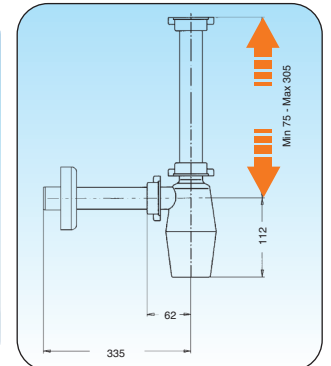


**1533.200** - WHITE 1¼"x305 EXIT Ø 32X335 mm

/-

"BOTTLE" TRAP FOR WASH BASIN WITH LONG INLET OUTLET CONNECTION PIPE

PIPES  
Ø 32



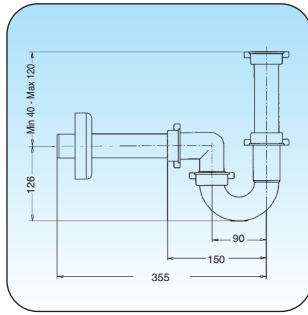
# WASH BASIN, BIDET & URINAL TRAPS

## P-TRAPS

**4133.090** - WHITE 1 1/4" x 120 EXIT Ø 40 x 355 mm

/-

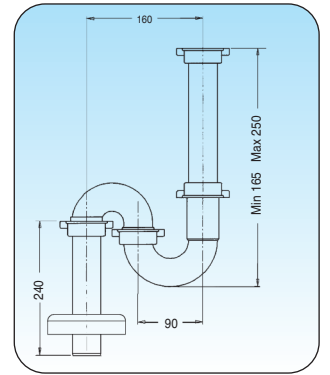
"P" TRAP



**4133.034** - WHITE 1 1/4" x 250 EXIT Ø 40 x 240 mm

/-

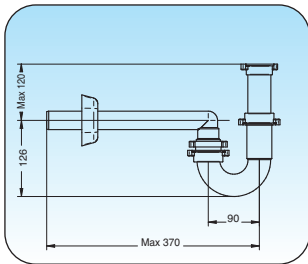
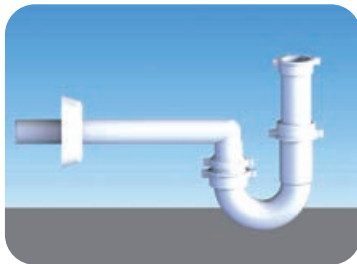
"S" TRAP WITH LONG INLET OUTLET CONNECTION PIPE



**4133.308** - WHITE 1 1/4" x 120 EXIT Ø 32 x 370 mm

/-

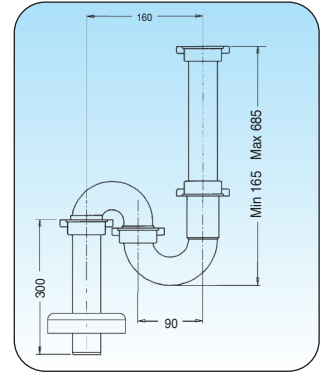
"P" TRAP FOR WASH BASINS



**4133.302** - WHITE 1 1/4" x 685 EXIT Ø 40 x 300 mm

/-

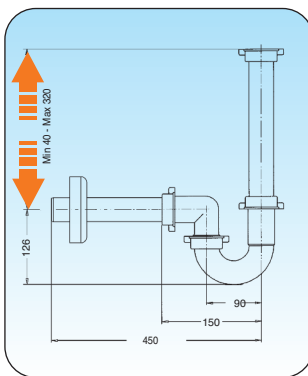
"S" TRAP WITH LONG INLET OUTLET CONNECTION PIPE



**4133.301** - WHITE 1 1/4" x 320 EXIT Ø 40 x 450 mm

/-

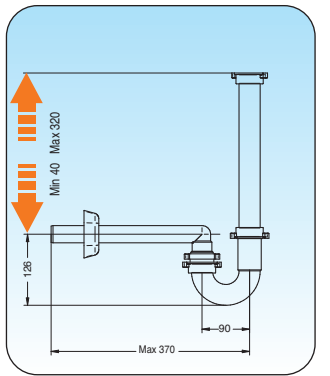
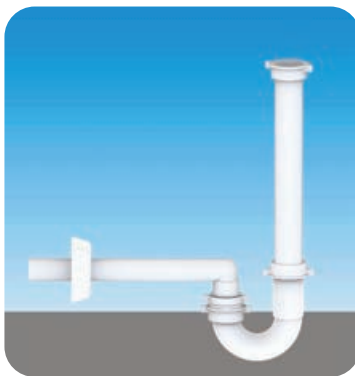
"P" TRAP WITH LONG INLET OUTLET CONNECTION PIPE



**4133.348** - WHITE 1 1/4" x 320 EXIT Ø 32 x 370 mm

/-

"P" TRAP FOR WASH BASINS WITH LONG INLET CONNECTION PIPE





## KITCHEN SINK TRAPS

BOTTLE TRAPS

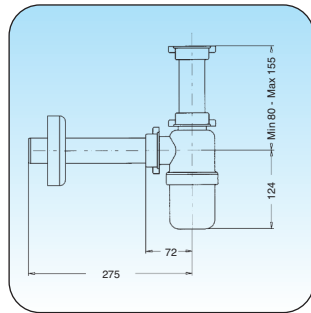
**1133.054** - WHITE 1½" x 155 EXIT Ø 40X275 mm

/-

"BOTTLE" TRAP FOR SINKS



PIPES  
Ø 40



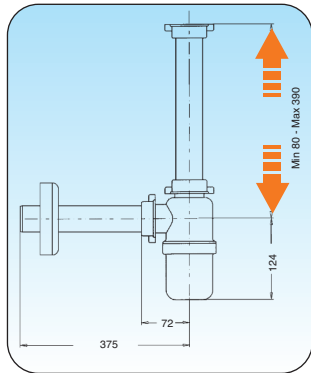
**1133.203** - WHITE 1½" x 390 EXIT Ø 40X375 mm

/-

"BOTTLE" TRAP FOR SINKS WITH LONG INLET CONNECTION PIPE



PIPES  
Ø 40



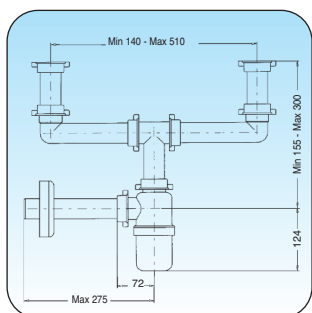
**1233.112** - WHITE 1½" EXIT Ø 40X275 mm

/-

"BOTTLE" TRAP FOR DOUBLE SINKS



PIPES  
Ø 40



## KITCHEN SINK TRAPS

P-TRAPS

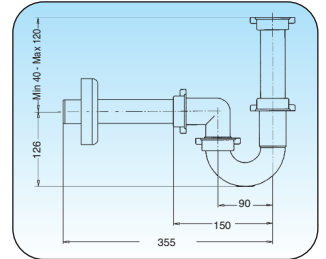
**4133.091** - WHITE 1½" x 120 EXIT Ø 40X355 mm

/-

"P" MODEL TRAP FOR SINKS



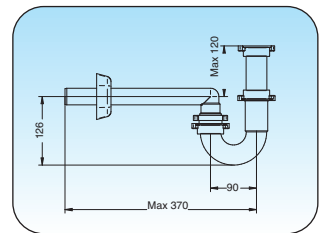
PIPES  
Ø 40



**4133.349** - WHITE 1½" x 120 EXIT Ø 32X370 mm

/-

"P" MODEL TRAP FOR SINKS



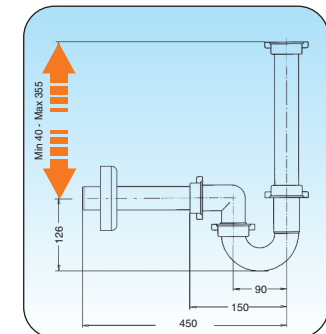
**4133.319** - WHITE 1½" x 355 EXIT Ø 40X450 mm

/-

"P" MODEL TRAP FOR SINKS WITH LONG CONNECTION PIPE



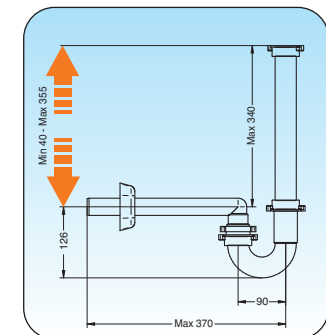
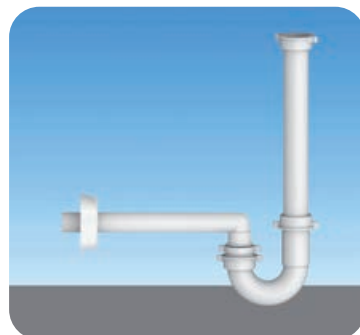
PIPES  
Ø 40



**4133.350** - WHITE 1½" x 340 EXIT Ø 32X370 mm

/-

"P" MODEL TRAP FOR SINKS WITH LONG CONNECTION PIPE



# KITCHEN SINK TRAPS

P-TRAPS

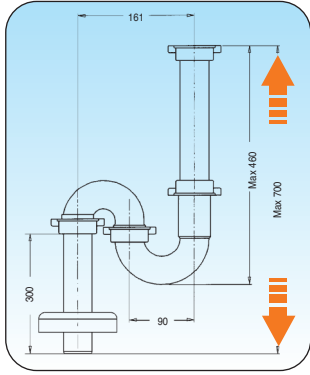
**4133.317** - WHITE 1½" x 300 EXIT Ø 40X300 mm

/-

"S" MODEL TRAP FOR SINKS WITH LONG CONNECTION PIPE



PIPES  
Ø 40



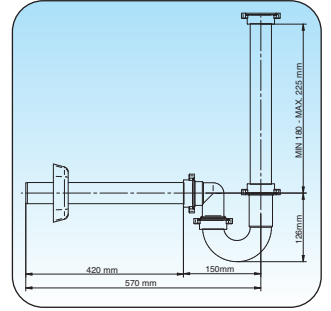
**4133.321** - WHITE 1½" x 225 EXIT Ø 40X570 mm

/-

"P" TRAP FOR SINKS WITH LONG INLET OUTLET CONNECTION PIPE



PIPES  
Ø 40



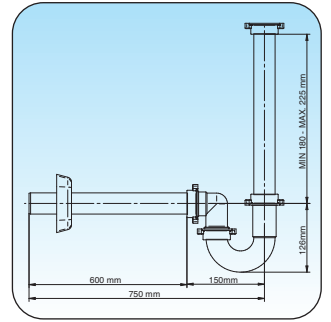
**4133.355** - WHITE 1½" x 225 EXIT Ø 32X750 mm

/-

"P" TRAP FOR SINKS WITH LONG INLET CONNECTION PIPE



PIPES  
Ø 40



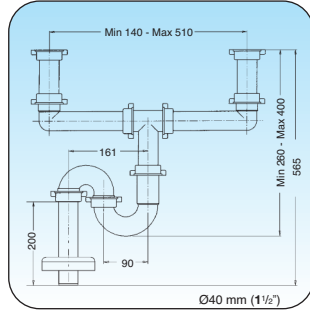
**4233.342** - WHITE 1½" EXIT Ø 40X200 mm

/-

"S" MODEL TRAP FOR DOUBLE SINKS



PIPES  
Ø 40



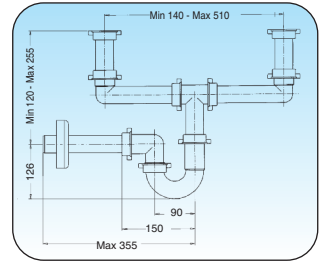
**4233.181** - WHITE 1½" EXIT Ø 40X355 mm

/-

"P" MODEL TRAP FOR DOUBLE SINKS



PIPES  
Ø 40



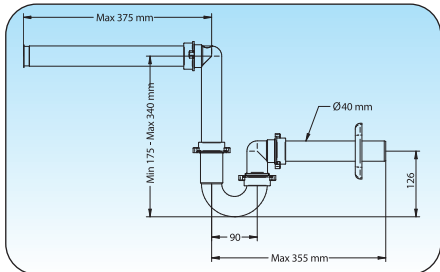
## KITCHEN SINK TRAPS

WITH BIO-DISPOSER CONNECTION

**A.8062.01** - WHITE 1½" EXIT Ø 40X355 mm

/-

"P" MODEL TRAP FOR SINKS WITH BIO-DISPOSER CONNECTION



## KITCHEN SINK TRAPS

WITH BIO-DISPOSER CONNECTION

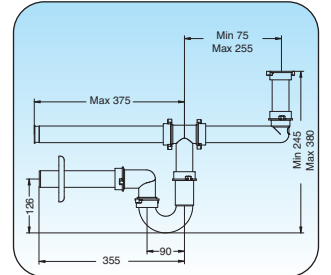
**4233.343** - WHITE 1½" EXIT Ø 40X355 mm

/-

"P" MODEL TRAP FOR DOUBLE SINKS AND BIO-DISPOSER CONNECTION



PIPES Ø 40



**SPACE - SAVER (SPAZIO) MODELS**  
WASH BASIN / BIDET TRAPS

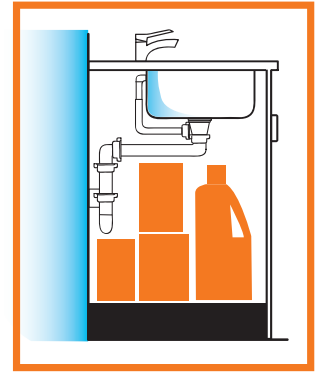
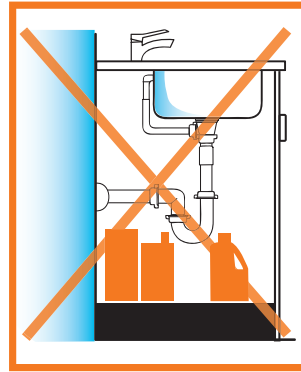
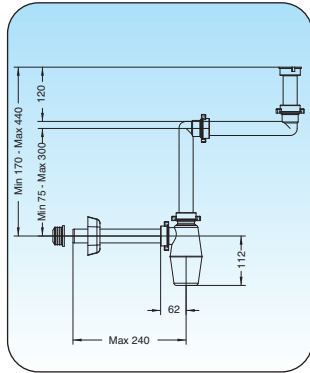


**1533.050** - WHITE

**1 1/4" EXIT Ø 32**

/-

"BOTTLE" SPACE SAVER TRAP SINGLE BOWL W/ELBOW WITH RUBBER BUSHING Ø 40-32 mm

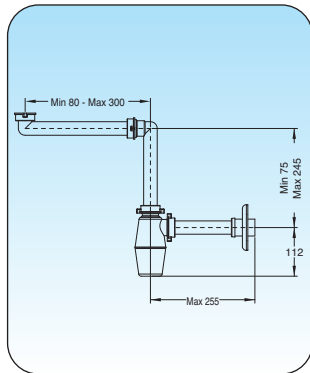


**A.0011.02** - WHITE

**1 1/4" EXIT Ø 32 - Ø 40**

/-

"BOTTLE" SPACE-SAVER TRAP FOR WASHBASIN

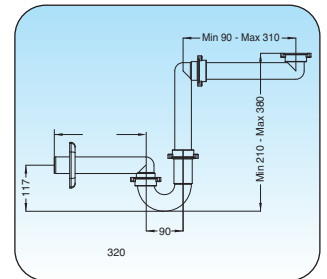


**9.1279.57** - WHITE

**1 1/4" EXIT Ø 40**

/-

SPACE - SAVER SYPHON

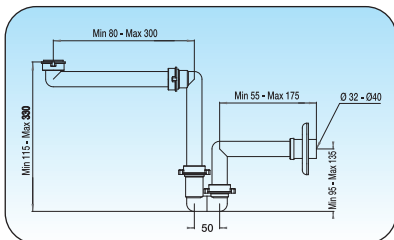


**A.1115.03** - WHITE

**1 1/4" EXIT Ø 32 - Ø 40**

/-

SPACE - SAVER SYPHON FOR WASHBASIN

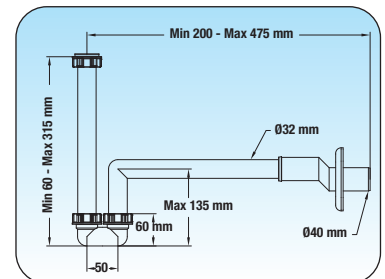


**1643.001** - WHITE

**1 1/4" EXIT Ø 32**

/-

P-TRAP "ECCENTRICO" FOR WASHBASIN AND BIDET WITH LONG CONNECTION PIPE



All Spazio items, supplies against confirmed orders only (except 9.1279.057, 9.1279.058 and 9.1279.059, 9.1279.060).



**SPACE - SAVER (SPAZIO) MODELS**  
KITCHEN SINK TRAPS



**SPAZIO 1/35**

SPACE-SAVER TRAPS WITH WASHING MACHINE CONNECTION

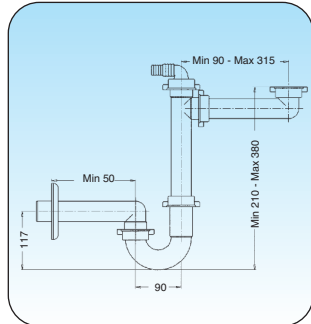
9.1279.74 WHITE

1½" EXIT Ø 40

/-



PIPES  
Ø 40



BOX PACKING CODES

9.1279.09 WHITE  
9.1279.10 GREY

MRP  
MRP

**NEW SPAZIO 2/35**

SPACE-SAVER TRAPS FOR DOUBLE SINKS WITH WASHING MACHINE CONNECTION

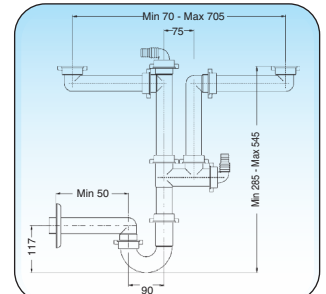
9.1275.85 WHITE

1½" EXIT Ø 40

/-



PIPES  
Ø 40



BOX PACKING CODES

9.1275.52  
9.1275.53

WHITE MRP  
GREY MRP

**9.1279.59** - WHITE

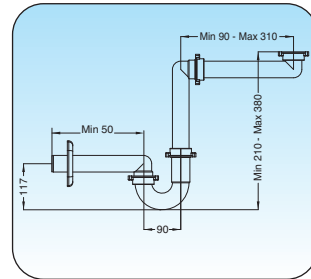
1½" EXIT Ø 40

/-

SPACE-SAVER TRAPS WITHOUT WASHING MACHINE CONNECTION



PIPES Ø 40



**9.1275.83** - WHITE

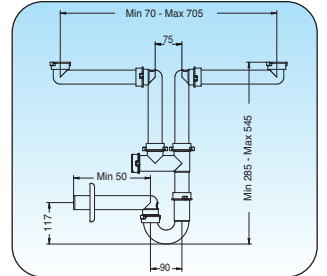
1½" EXIT Ø 40

/-

SPACE-SAVER TRAPS FOR DOUBLE SINKS WITHOUT WASHING MACHINE CONNECTION



PIPES  
Ø 40



**9.1279.93** - WHITE

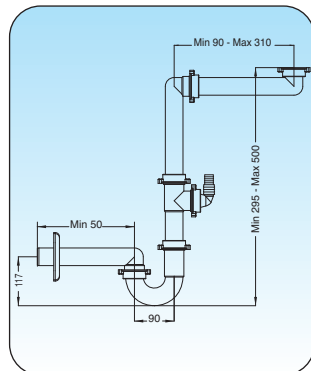
1½" EXIT Ø 40

/-

SPACE - SAVER TRAPS WITH LONG VERTICAL CONNECTION AND WASHING MACHINE CONNECTION



PIPES  
Ø 40



All Spazio items, supplies against confirmed orders only (except 9.1279.057, 9.1279.058 and 9.1279.059, 9.1279.060).

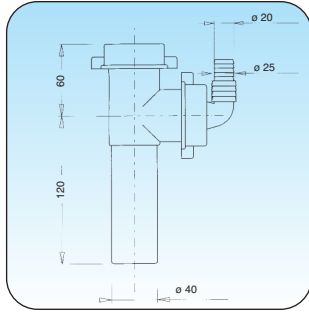
# COMPONENTS

**8.2404.03** - WHITE

EXIT Ø 40

/-

DISH-WASHER AND WASHING-MACHINE CONNECTION

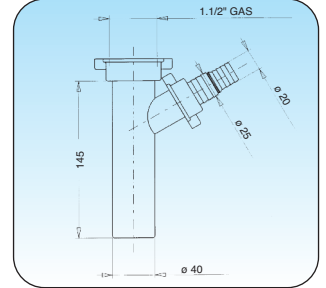


**8.2407.05** - WHITE

1½" EXIT Ø 40

/-

DISH-WASHER AND WASHING-MACHINE CONNECTION

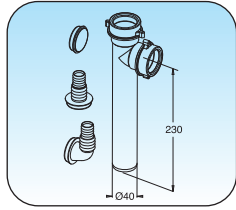


**8.2429.04** - WHITE

EXIT Ø 40

/-

DISH-WASHER AND WASHING-MACHINE CONNECTION

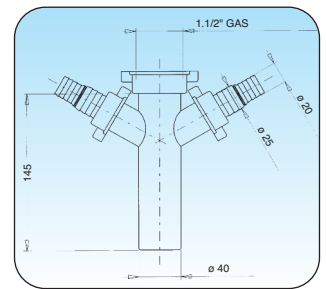


**8.2410.01** - WHITE

1½" EXIT Ø 40

/-

DISH-WASHER AND WASHING-MACHINE CONNECTION



POLYPROPYLENE (P.P.)



**8.2424.07** - WHITE

Ø 40X230 mm

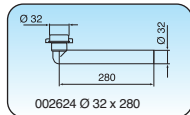
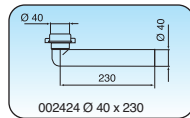
/-

**8.2624.03** - WHITE

Ø 32X280 mm

/-

JOLLY EXTENSION ELBOW SHAPED



**8.2644.03** - WHITE

F 1¼" Ø 32X280 mm

/-

**8.2444.14** - WHITE

F 1½" Ø 40X245 mm

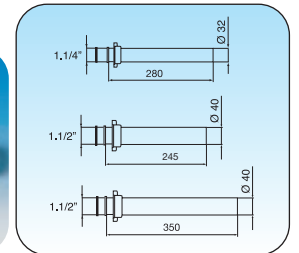
/-

**8.2444.03** - WHITE

F 1½" Ø 40X350 mm

/-

EXTENSION PIPE



**8.2442.07** - WHITE

Ø 40X250 mm

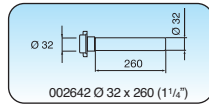
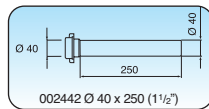
/-

**8.2642.02** - WHITE

Ø 32X260 mm

/-

STRAIGHT CONNECTOR  
(JOLLY EXTENSION PIPE)



**8.2631.01** - WHITE

1¼" Ø 32X280 mm

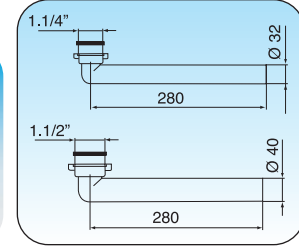
/-

**8.2431.01** - WHITE

1½" Ø 40X350 mm

/-

JOLLY EXTENSION



**8.0240.01** - WHITE

A = 1¼" EXIT Ø 40

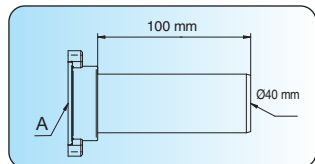
/-

**8.0240.03** - WHITE

A = 1½" EXIT Ø 40

/-

FITTING



**XLIRA**

MADE IN ITALY

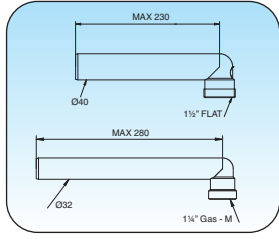
# COMPONENTS

**8.2424.16** - WHITE M 1½" Ø 40X230 mm /-

ELBOW SHAPED TRAP EXIT

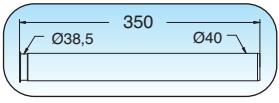
**8.2624.10** - WHITE M 1¼" Ø 32X280 mm /-

ELBOW SHAPED TRAP EXIT WITHOUT REDUCER



**8.2444.06** - WHITE Ø 40X350 mm /-

BIO-DISPOSER CONNECTION PIPE



**8.2441.19** - WHITE Ø 40 A = 240 mm /-

PLAIN PIPE PP mm 240 LONG

**8.2441.23** - WHITE Ø 40 A = 300 mm /-

PLAIN PIPE PP mm 300 LONG

**8.2441.31** - WHITE Ø 40 A = 460 mm /-

PLAIN PIPE PP mm 460 LONG

**8.2441.02** - WHITE Ø 40 A = 600 mm /-

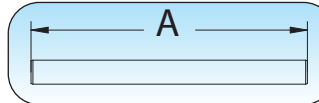
PLAIN PIPE PP mm 600 LONG

**8.2633.12** - WHITE Ø 32 A = 300 mm /-

PLAIN PIPE PP mm 300 LONG

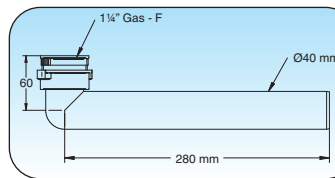
**8.2633.28** - WHITE Ø 32 A = 460 mm /-

PLAIN PIPE PP mm 460 LONG



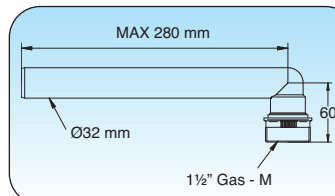
**8.2431.14** - WHITE 1¼" Ø 40X280 mm /-

JOLLY EXTENTION



**8.2624.11** - WHITE M 1½" Ø 32X280 mm /-

ELBOW SHAPED TRAP EXIT WITH REDUCER



**8.2414.01** - WHITE F 1½" x F 1½" /-

ADAPTERS

**8.2435.01** - WHITE F 1½" x Ø 40 /-

ADAPTERS

**8.2436.01** - WHITE F 1½" x M 1½" /-

EXTENTION

**8.2437.01** - WHITE M 1½" x Ø 40 /-

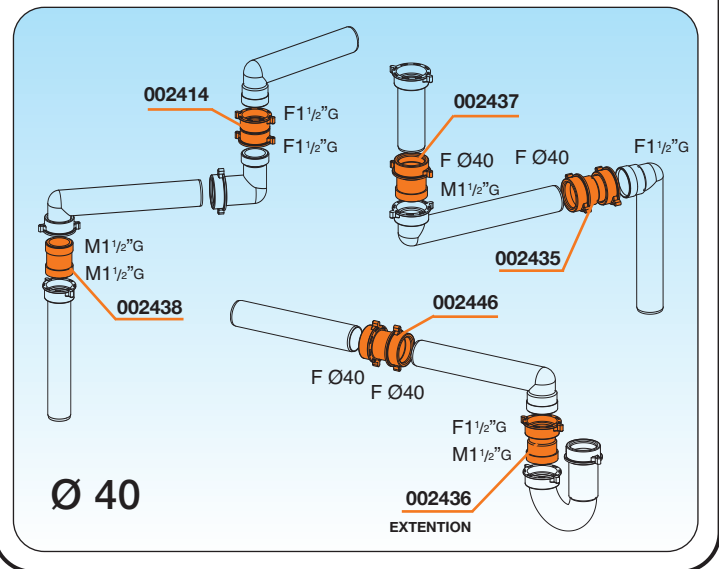
ADAPTERS

**8.2438.01** - WHITE M 1½" x M 1½" /-

ADAPTERS

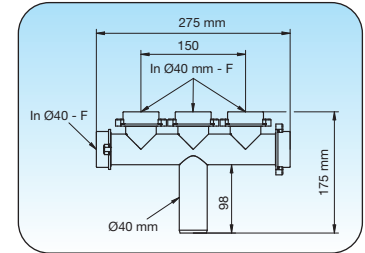
**8.2446.01** - WHITE F Ø 40 x F Ø 40 /-

ADAPTERS



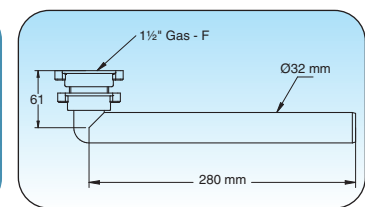
**8.2401.08** - WHITE F 1½" Ø 40 /-

6-WAY FITTING CROSS Ø40



**8.2631.14** - WHITE 1½" Ø 32X280 mm /-

JOLLY EXTENTION



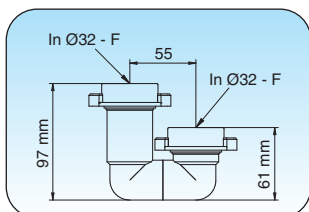
# COMPONENTS

**A.1115.A04** - WHITE

**F 1 1/4" Ø 32**

/-

U-TRAP Ø32

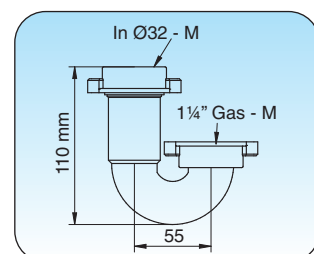


**8.3205.01** - WHITE

**M 1 1/4" Ø 32**

/-

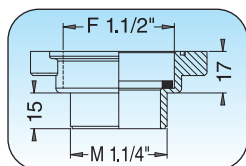
P-TRAP Ø32



**9.0086.01** - WHITE **F 1 1/2" x M 1 1/4"**

/-

THREADED P.P. REDUCTIONS

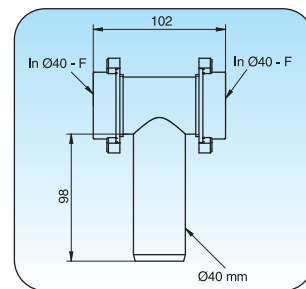


**8.2400.03** - WHITE

**1 1/2" - Ø 40**

/-

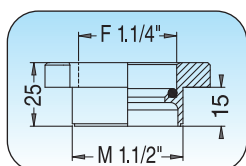
TEE-WAY T-FITTING



**8.4410.03** - WHITE **F 1 1/4" x M 1 1/2"**

/-

THREADED P.P. REDUCTIONS

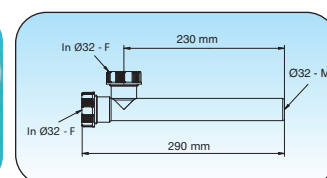


**8.2643.09** - WHITE

**Ø 32**

/-

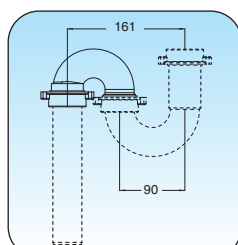
3-WAY LONG T-FITTING Ø32



**8.4407.02** - WHITE ELBOW FITTING **M 1 1/2" Ø 40F**

/-

TO CONVERT WALL EXIT TO FLOOR EXIT

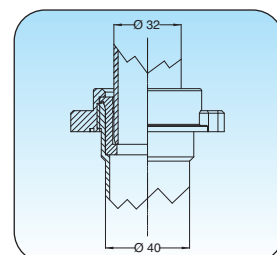
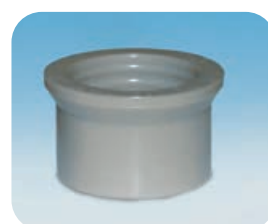


**8.0285.04** - GREY

**Ø 40 - Ø 32**

/-

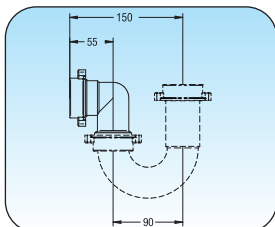
SOFT REDUCTION



**8.4403.01** - WHITE ELBOW FITTING **M 1 1/2" Ø 40F**

/-

TO CONVERT FLOOR EXIT TO WALL EXIT



**8.4032.05** - BLACK

**Ø 40 - Ø 32**

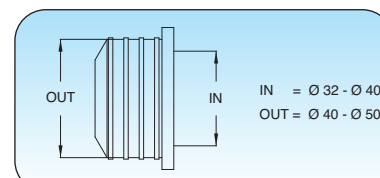
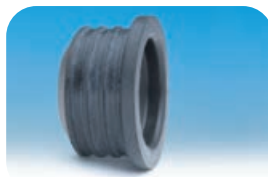
/-

**8.5040.03** - BLACK

**Ø 50 - Ø 40**

/-

RUBBER BUSHING



**8.2615.01** - WHITE

**A = 1 1/4" - Ø 32**

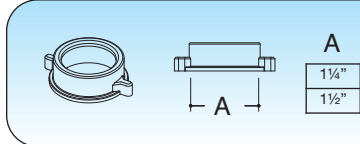
/-

**8.2415.01** - WHITE

**A = 1 1/2" - Ø 32**

/-

NUT





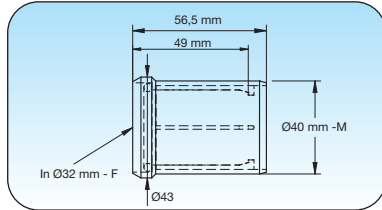
## COMPONENTS

**8.2640.02** - WHITE

**Ø32F x Ø40M**

/-

ADAPTER WITH O-RING

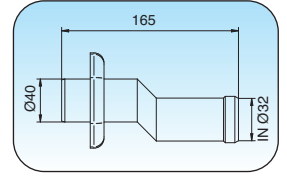


**8.2627.01** - WHITE

**Ø32 x Ø40**

/-

ADAPTER WITH O-RING ECCENTRIC



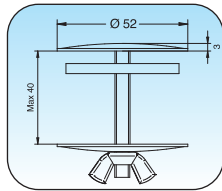
**9.0809.01** - SATIN

/-

**9.0809.04** - POLISHED

/-

ROUND STAINLESS STEEL HOLE-PLUG 18/8



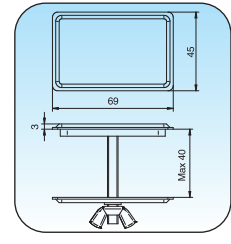
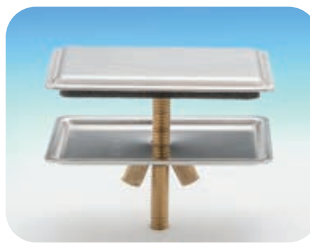
**A.1428.01** - SATIN

/-

**A.1428.02** - POLISHED

/-

RECTANGULAR STAINLESS STEEL HOLE-PLUG 18/8



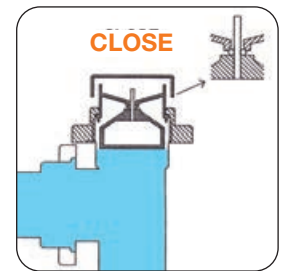
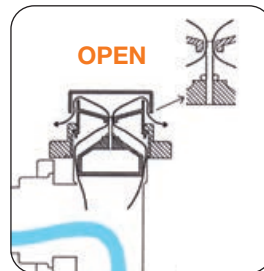
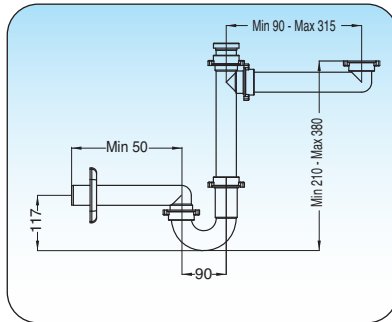
## SPECIAL ITEMS - NEW INNOVATIONS

**9.1279.95** - GREY

**1½" - Ø40**

/-

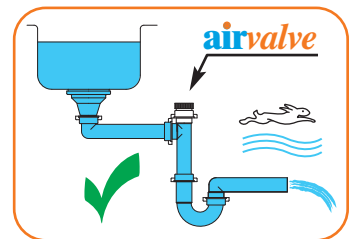
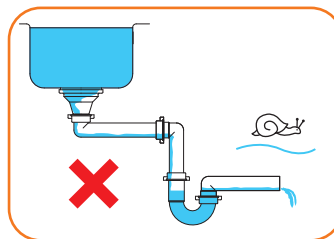
SPAZIO1 WITH AIR VALVE



When the air valve is open, discharge is accelerated



Installation prior to the drain connection, facilitates the rapid discharge of water



All special items - new innovations. Supplies against confirmed orders only.



## SPECIAL ITEMS - NEW INNOVATIONS

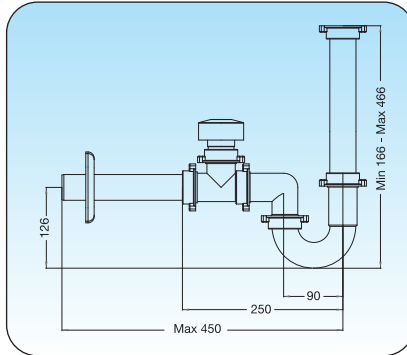
**4133.272** - WHITE    1½" x 320 - Ø 40x450

/-

"P" MODEL TRAP WITH ANTI-GURGLE



PIPES  
Ø 40



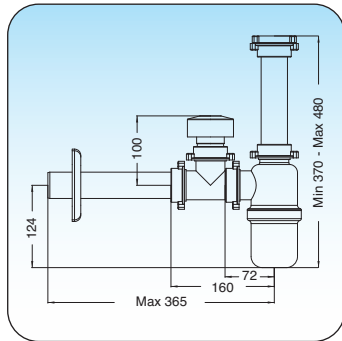
**1133.223** - WHITE    1¼" - 1½" - Ø 40 x 365

/-

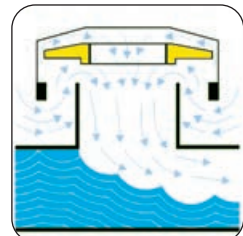
BOTTLE TRAP WITH ANTI-GURGLE VALVE



PIPES  
Ø 40



Prevents the emission of odors.



It lets in air, avoiding "the gurgling" caused by suction.

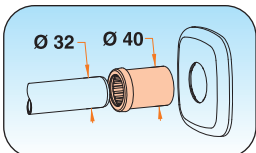
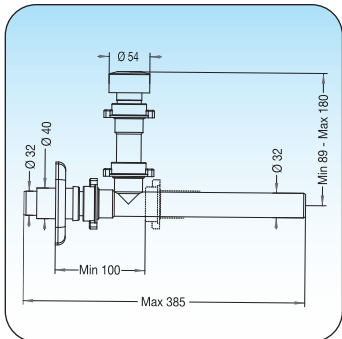


**A.1510.01** - WHITE

1¼" - Ø 32

/-

AUTOMATIC ANTI-GURGLE VALVE FOR WASHBASIN OR BIDET, TO BE MOUNTED AT THE OUTLET OF THE SYPHON.



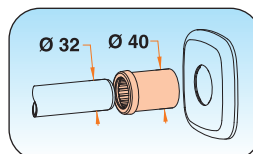
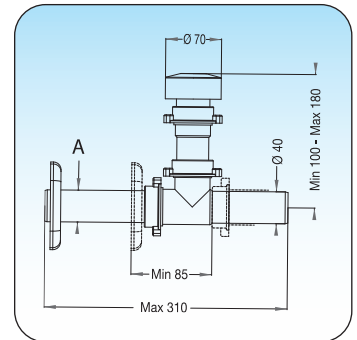
Adapter for wall exit Ø 40mm included

**A.1500.01** - WHITE

1½" - Ø 40

/-

AUTOMATIC ANTI-GURGLE VALVE FOR KITCHEN SINKS, TO BE MOUNTED AT THE OUTLET OF THE SYPHON.



Adapter for wall exit Ø 40mm included

All special items - new innovations. Supplies against confirmed orders only.



**SPAZIO 1NT**

1½" - Ø 40

INSPECTIONABLE SPACE SAVER TRAP FOR SINGLE BOWL SINKS

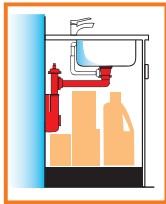
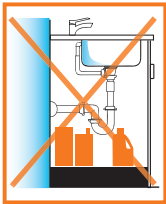
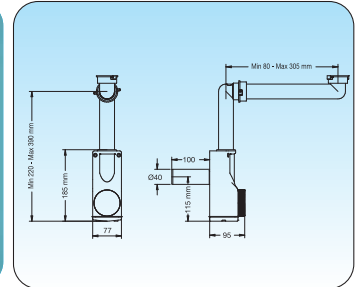
9.1289.30 WHITE

1½" EXIT Ø 40

/-



PIPES  
Ø 40



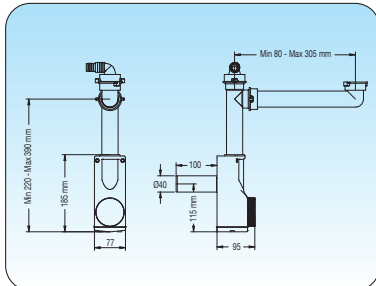
9.1289.32 WHITE

1½" EXIT Ø 40

/-



PIPES  
Ø 40



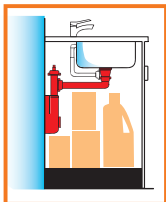
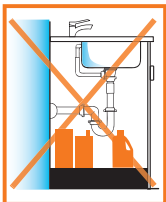
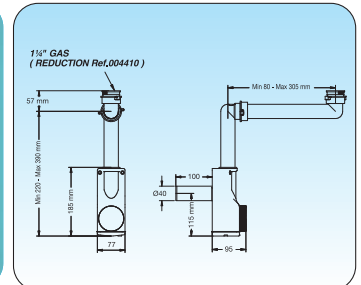
9.1289.31 WHITE

1¼" EXIT Ø 40

/-



PIPES  
Ø 40



9.1285.01 WHITE

1½" EXIT Ø 40

/-



PIPES  
Ø 40

**SPAZIO 2NT**

1½" - Ø 40

INSPECTIONABLE SPACE SAVER TRAP FOR DOUBLE BOWL SINKS

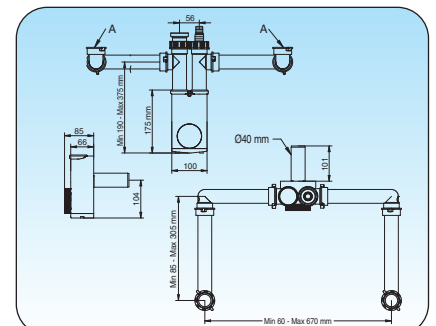
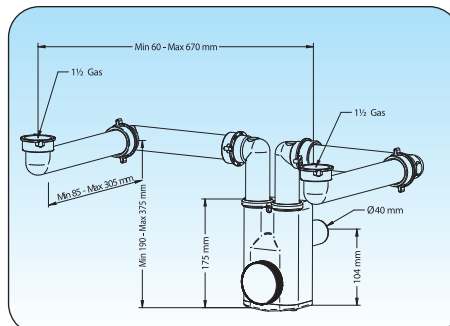
9.1285.05 WHITE

1½" EXIT Ø 40

/-



PIPES  
Ø 40



SPECIAL ITEMS - NEW INNOVATIONS

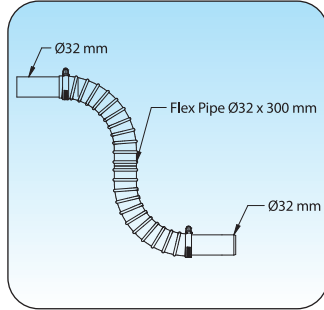
**A.8250.03** - WHITE PP

FLEX EXIT Ø 32 mm

/-



PIPES  
Ø 32



**4133.365** - WHITE PP

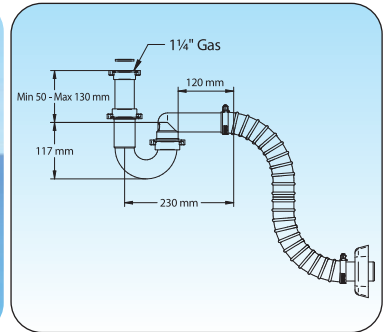
1¼" - Ø 40

/-

"P" MODEL TRAP FLEX EXIT



PIPES  
Ø 40



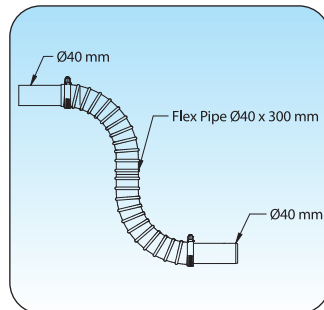
**A.8250.04** - WHITE PP

FLEX EXIT Ø 40 mm

/-



PIPES  
Ø 40



**4133.364** - WHITE PP

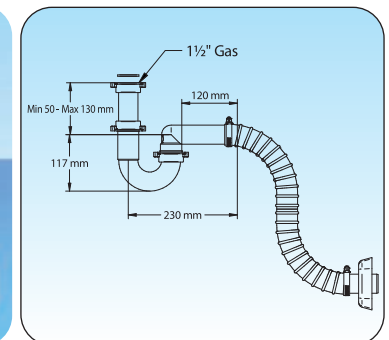
1½" - Ø 40

/-

"P" MODEL TRAP FLEX EXIT



PIPES  
Ø 40



**4133.362** - WHITE PP

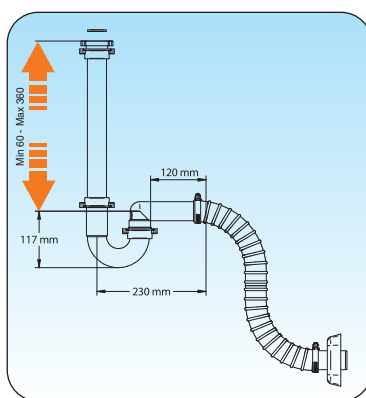
FLEX EXIT 1¼" Ø 40 mm

/-

"P" MODEL LONG TRAP



PIPES  
Ø 40



**4133.363** - WHITE PP

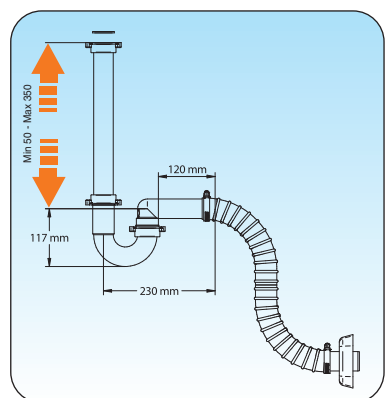
FLEX EXIT 1½" - Ø 40

/-

"P" MODEL LONG TRAP



PIPES  
Ø 40



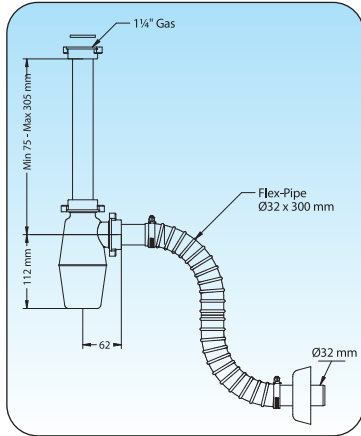
**1533.062** - WHITE PP FLEX EXIT 1 1/4" GAS Ø 32 mm

/-

BOTTLE TRAP FLEX EXIT



PIPES  
Ø 32



**A.1115.57** - WHITE PP FLEX 1 1/4" GAS Ø 32 mm

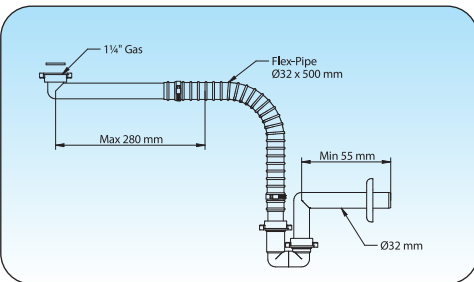
/-

FLEX SOLUTION FOR DISABLE



PIPES  
Ø 32

SIFONE  
**SPAZIO**  
*Bagno*



**9.6205.06** - WHITE FLEX 1 1/4" - 1 1/2" Ø 40 mm

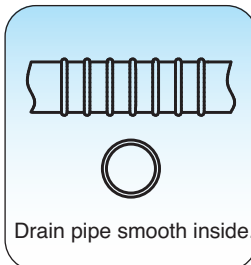
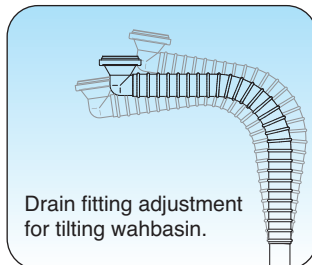
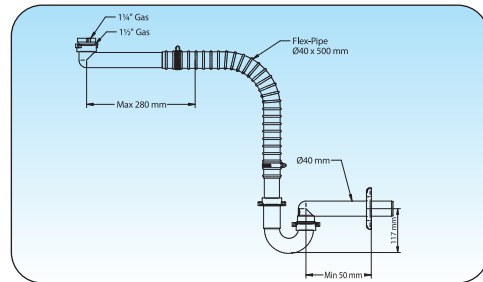
/-

FLEX SOLUTION FOR DISABLE



PIPES  
Ø 40

SIFONE  
**SPAZIO**



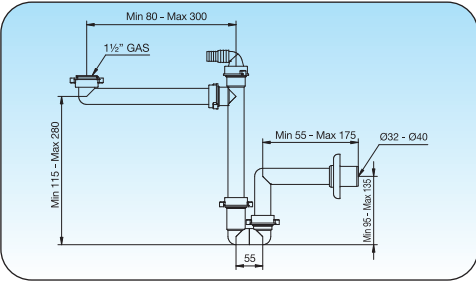
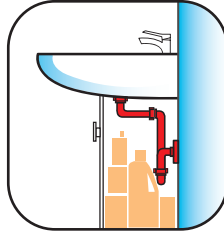
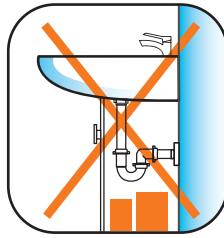
SPECIAL ITEMS - NEW INNOVATIONS

**A.1115.02** - WHITE 1"-1¼" Ø 32 - Ø40 mm /-

INSPECTIONABLE SPACE SAVER TRAP FOR WASHBASINS WITH HOSE CONNECTOR Ø20-25



SIFONE  
**SPAZIO**  
Bagno

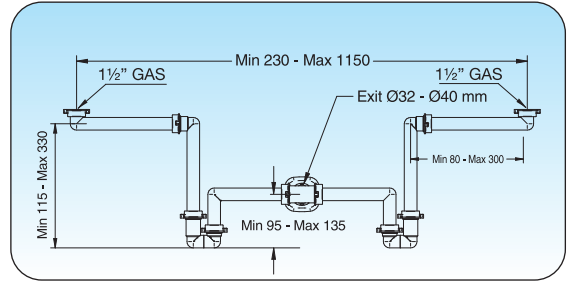


**A.1115.69** - WHITE 1-1¼" Ø 32-Ø40 mm /-

SPAZIO BAGNO - FOR DOUBLE BOWL WASHBASINS



SIFONE  
**SPAZIO**  
Bagno

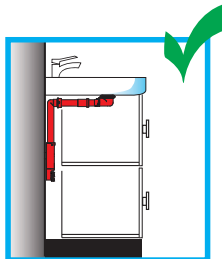
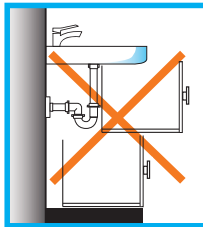


**A.8274.75** - WHITE 1¼" Ø 32 mm /-

INSPECTIONABLE SPACE SAVER TRAP FOR WASHBASINS.

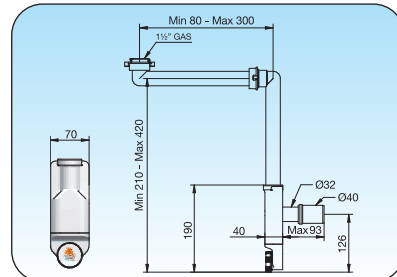


SIFONE  
**SPAZIO**  
Bagno  
NT  
new technology



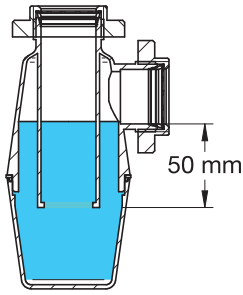
**A.8274.76** - BLACK 1¼" Ø 32 mm /-

INSPECTIONABLE SPACE SAVER TRAP FOR WASHBASINS.

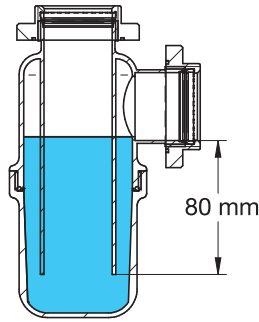




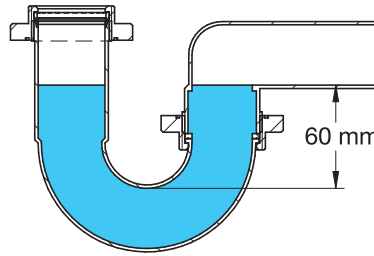
# WATER SEAL IN DIFFERENT TYPES OF LIRA TRAP - COMPLYING WITH EN 274



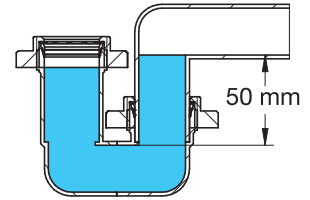
**BOTTLE TRAP Ø32**  
for art: 1511 - 1533  
A.0011.02



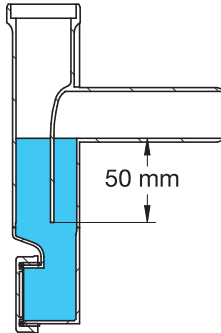
**BOTTLE TRAP Ø40**  
for art: 1133 - 1233



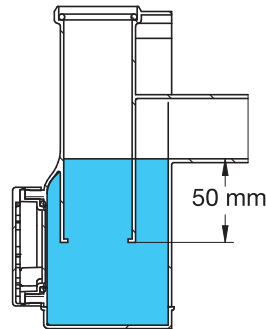
**P-TRAP Ø40**  
for art: 4133 - 4233 - A.8062.01  
9.1279 - 9.1275



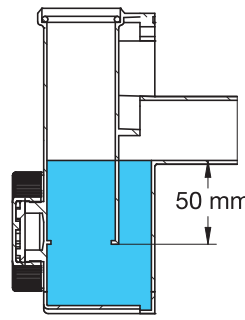
**U-TRAP Ø32**  
for art: A.1115 - 1643



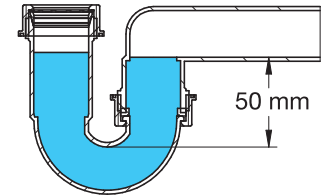
**NT-TRAP Ø32**  
for art: A.8274



**NT1-TRAP Ø40**  
for art: 9.1289



**NT2-TRAP Ø40**  
for art: 9.1285



**P-TRAP Ø32**



**Good News: Freedom! From foul odour, Leakages & Corrosion.  
Better News: You can install and maintain it yourself!**

**10  
Years  
Warranty**

1. LIRA traps are made of A grade virgin Polypropylene material
2. (a) LIRA has a pioneering advantage as they were the first in 1959 to have launched non - metallic waste traps.  
(b) They have their own single, huge factory in Valduggia, north Italy and do not outsource the traps.
3. LIRA traps have very good physical properties due the quality of Polypropylene amd machinery/processes used to manufacture them - viz.,
  - (a) Non-corrosive.
  - (b) Has very good resistance to acids often used for cleaning traps, especially in India.
  - (c) Very good thermal resistance - can withstand extreme hot and cold temperatures without cracking or otherwise deshaping.
  - (d) Has very good resistance to calciums, minerals and other physical impurities present in water, hence, they are specially advisable for Indian water conditions.
  - (e) Prevents deposition of scaling.
  - (f) Does not discolour.
  - (g) Due to the high quality of raw materials and superior machinery used to manufacture, the quality of threading and precision of dimensions overall is impeccable.
  - (h) The excellent quality of washer and gaskets ensures 100% water-tightness without usage of teflon tapes etc making LIRA traps leak-proof.
4. All-traps-P traps are well as Bottle traps have the mandatory 50mm (or more) water seal as per international plumbing norms to prevent foul air/odour from emanating from the pipeline.
5. All Lira traps can be customised o site conditions without any preconditions of volume.
6. (a) LIRA traps are easy to install-can be installed by hand and no spanners or any other implements are needed.  
(b) Due the same reason, house keeping and maintenance by the user/layperson becomes extremely easy.  
(c) LIRA traps are also cheaper to install because one does not require teflon tapes/M-seal or threading to seal joints.  
Also there is saving in labour charges as greater no of traps can be installed by a given size of plumbing team.
7. LIRA has a special range of space-saving solutions called SPAZIO for both wash basins and kitchen sinks, with value added featur connections to dish-washing machines and washing machines.
8. (a) LIRA provides free set of extra washers with each and every trap supplied to projects as spare - either separately or in the polybag itself.  
(b) All different components of LIRA traps are easily available locally.
9. All LIRA traps are warranted for 10 years from date of primary purchase against manufacturing defects.
10. All Lira traps conform to EN 274 European norms.



## Note

All traps will be available in white as standard offering. All grey versions will be supplied only against order.



Solely Imported & Distributed in India by:

**CONFLUENCE MARKETING PVT LTD**

(Also exclusive indentors & marketers for Nepal, Sri Lanka, Bangladesh & Mynmar)

**Address:**

B- 302 , N G Garden CHS,  
Bunder Pakhadi Road,  
Kandivili (West)  
Mumbai 400 067,  
Maharashtra,  
INDIA

**Email:**

sales@confluence.com

**Phone:** +91 9769683356 / +91 9820051899

+91 9766599961 / +91 7045799792

